

Technical Information

No. 5616

Edition: 01/08 - subject to change

Substitutes: new

Status: valid



XBO[®] 2500 W/HS XL OFR

Xenon Short Arc Lamp

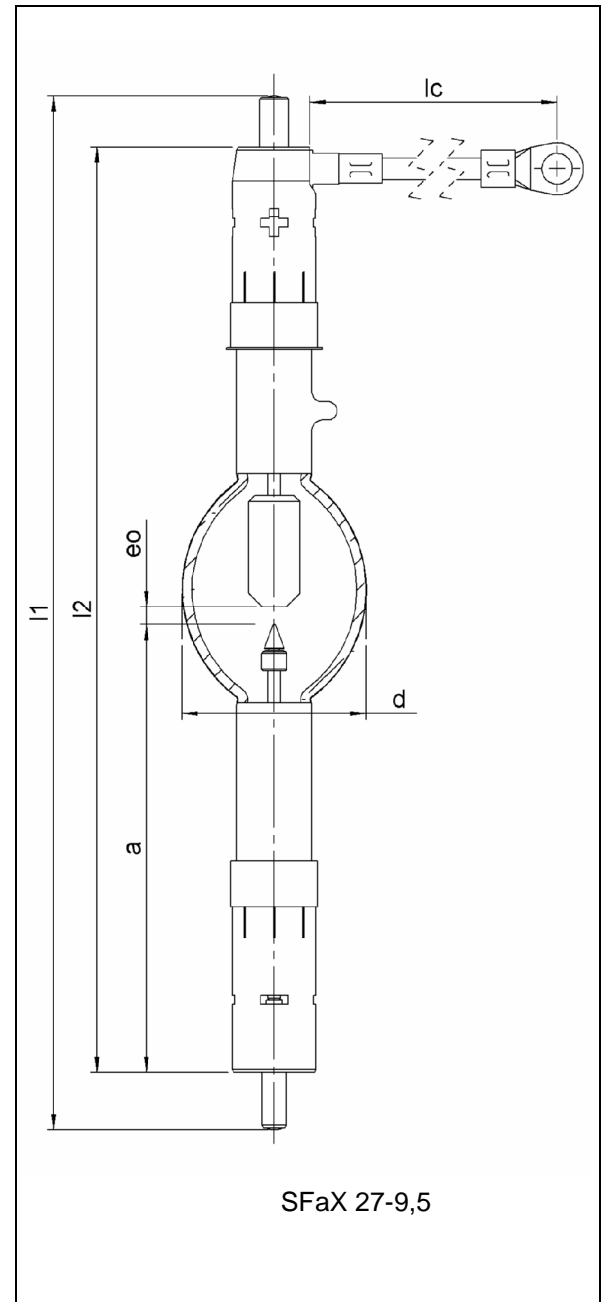
■ Product description

The OSRAM XBO[®] 2500 W/HS XL OFR is a DC-operated lamp, developed with the latest high brightness technology for XBO lamps. The XL lamps, which stands for Xtreme life, are strictly optimized on performance and have an increased warranty by up to 50%.

■ Technical data

Order reference	XBO [®] 2500 W/HS XL OFR	
Rated lamp wattage	W	2500
Rated lamp voltage	V	28
Rated lamp current (=)	A	90
Current control range	A	70 - 100
Ignition voltage	kV _s	33
Min. open circuit voltage for cold / hot ignition	V	75 / 90
Luminous flux	lm	100.000
Luminous intensity	cd	10.000
Average luminance	cd/cm ²	80.000
Luminous area w x h *)	mm	1.5 x 4.5
Electrode gap e (cold)	mm	5.5
Lamp length (overall) l ₁	mm	max. 342
Lamp length l ₂	mm	max. 302
LCL a	mm	145
Bulb diameter d	mm	60
Warranty	h	2200
Base	Cathode	SFa 27-7,9
Cable length l _c = 300mm	Anode	SFaX 27-9,5

*) w = luminance half width value; h = height of luminous area (corresponds to electrode gap, hot)



■ Lamp operation

Maximum permissible base temperature	230°C
Cooling	forced cooling / fan
Min. air flow velocity around discharge vessel	6 m/s
Burning position	s 30 (vertical ± 30°; anode up) ; p 30 (horizontal ± 30°)